

## TUB/SHOWER FAUCET

- Lever Handle Tub/Shower

## STANDARD SPECIFICATIONS:

- Slip-on tub spout
- Maximum 1.75 gpm @ 80 psi, 6.6 L/min @ 550 kPa
- Tub/Shower requires 1 1/2" wall cavity
- Valve has back-to-back installation capability
- Forged brass body
- Field adjustable means to limit handle rotation into hot water zone
- Temperature control to rotate a maximum of 120° from full cold to the maximum temperature
- Single Handle
- Pressure Balance
- Temperature Only Controlled with Handle

## WARRANTY:

- Parts and Finish – Lifetime limited warranty; or for commercial purchasers, 10 years for multi-family residential (apartments and condominiums) and 5 years for all other commercial uses, in each case from the date of purchase.



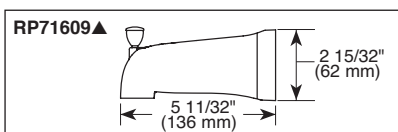
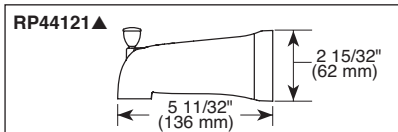
## COMPLIES WITH

- ASME A112.18.1 / CSA B125.1

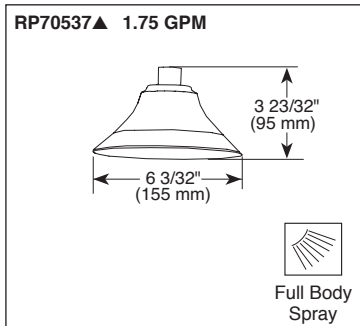


Indicates compliance to ICC/ANSI A117.1 - Valve control only

- ASSE1016
- EPA WaterSense®



\*1/2"-14 threaded tub spout with slip-on adapter included



▲ Designate Proper Finish Suffix